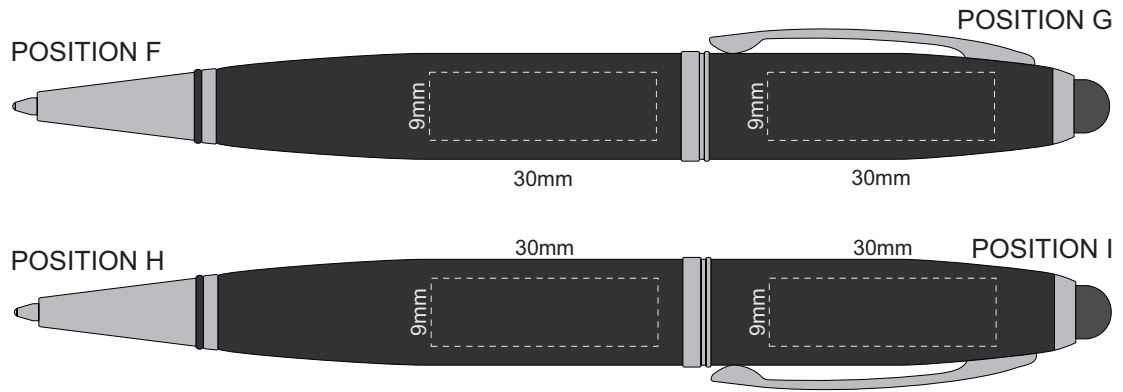
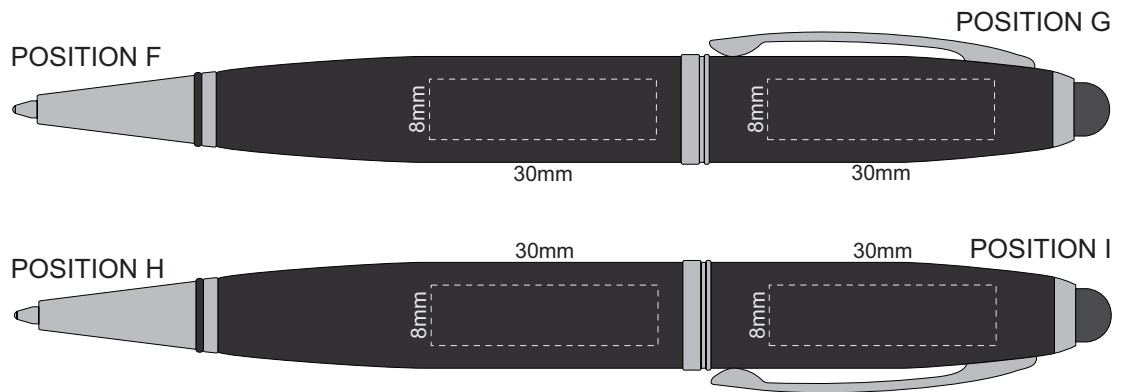




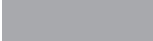
100% of Actual Size
Pad Print



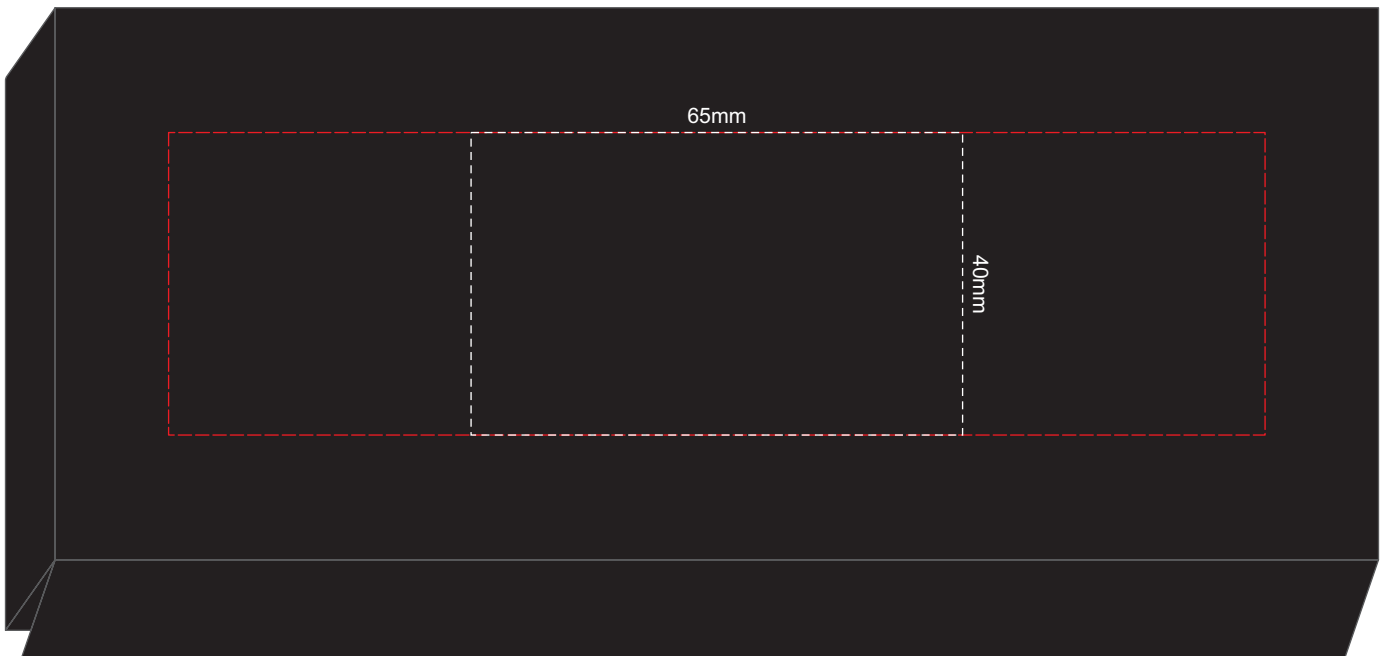
100% of Actual Size
Laser Engraving



Position F & H  Engraves to Brass Finish

Position G & I  Engraves to Silver Mirror Finish

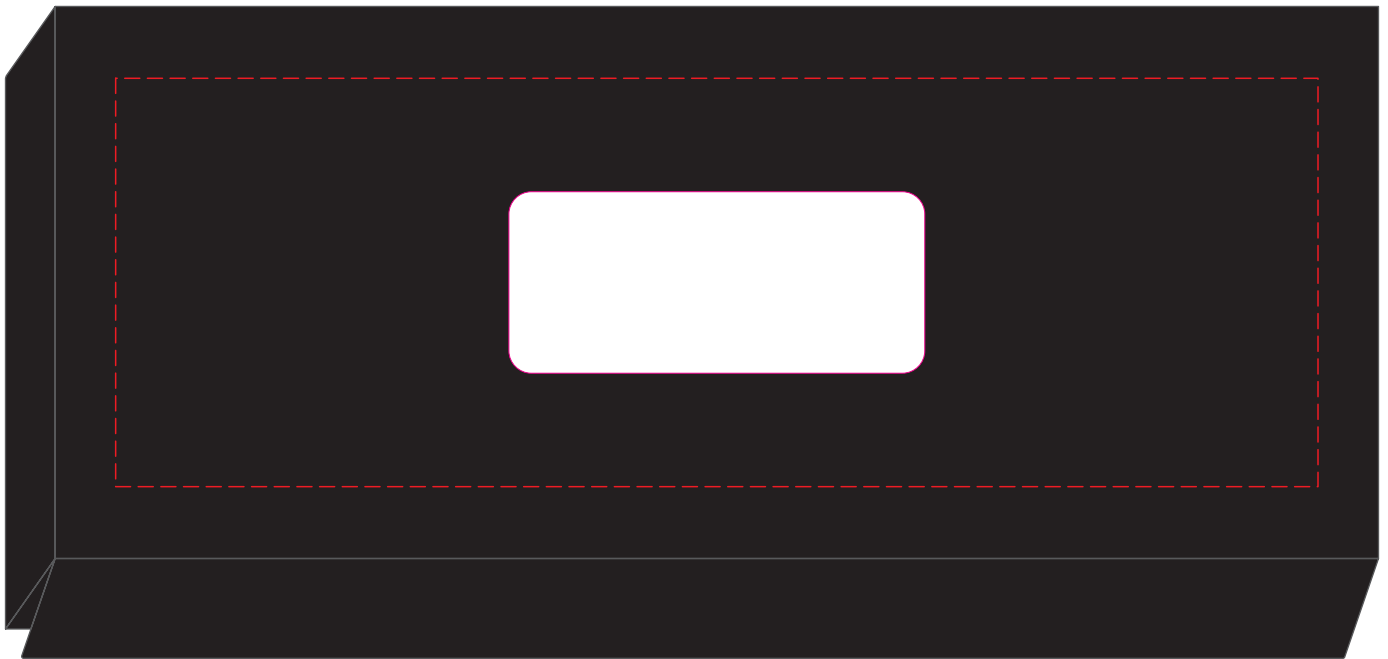
100% of Actual Size
Pad Print (black box)



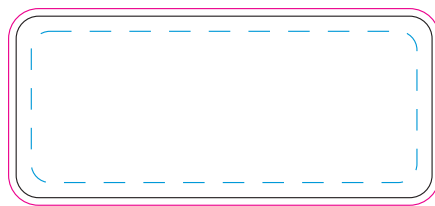
Branding area can be moved **anywhere within the red line.**

100% of Actual Size
Resin Dome

Resin Dome - 55x24mm Oval or Rectangle



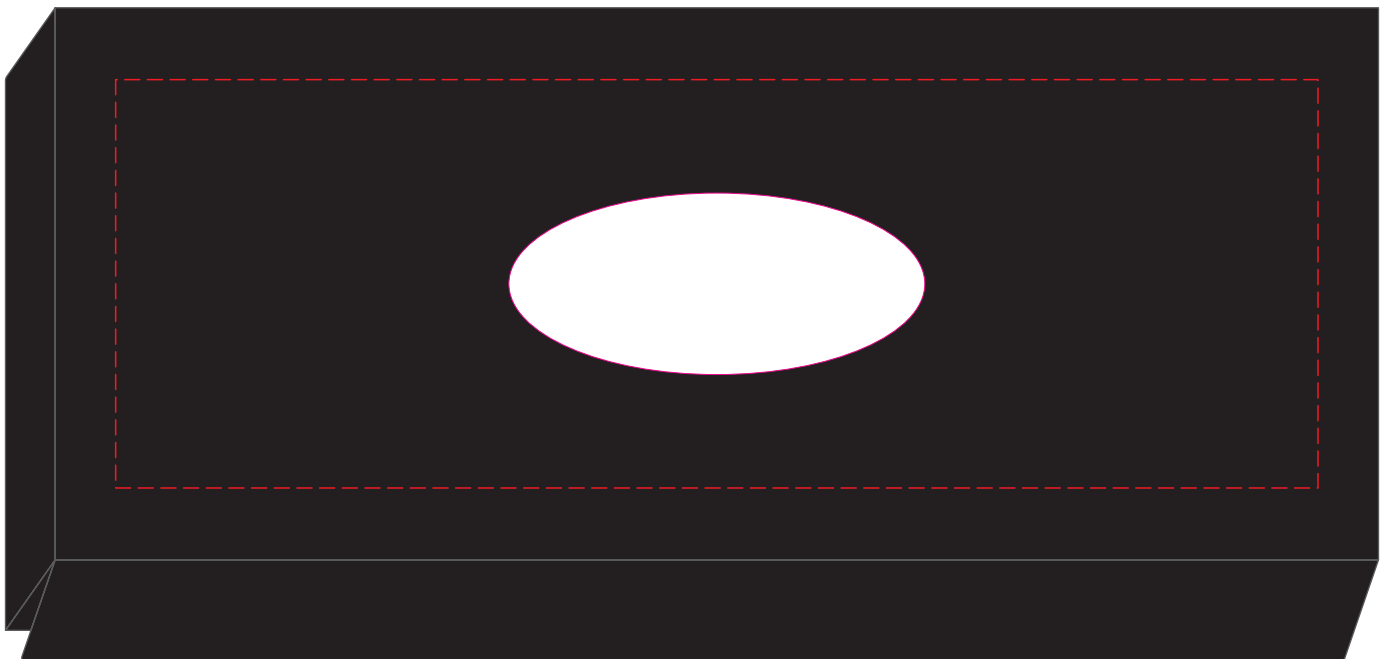
Branding area can be moved **anywhere within the red line.**



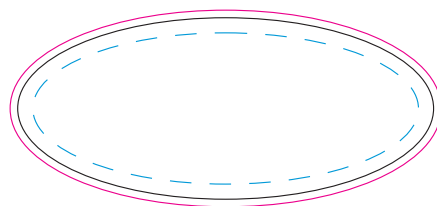
Blue Line = The SIGNIFICANT PRINT AREA
(Keep all critical images & text within this box)
Black Line = Maximum print area
Pink Line = Bleed off to here

100% of Actual Size
Resin Dome

Resin Dome - 55x24mm Oval or Rectangle



Branding area can be moved **anywhere within the red line.**



Blue Line = The SIGNIFICANT PRINT AREA
(Keep all critical images & text within this box)
Black Line = Maximum print area
Pink Line = Bleed off to here