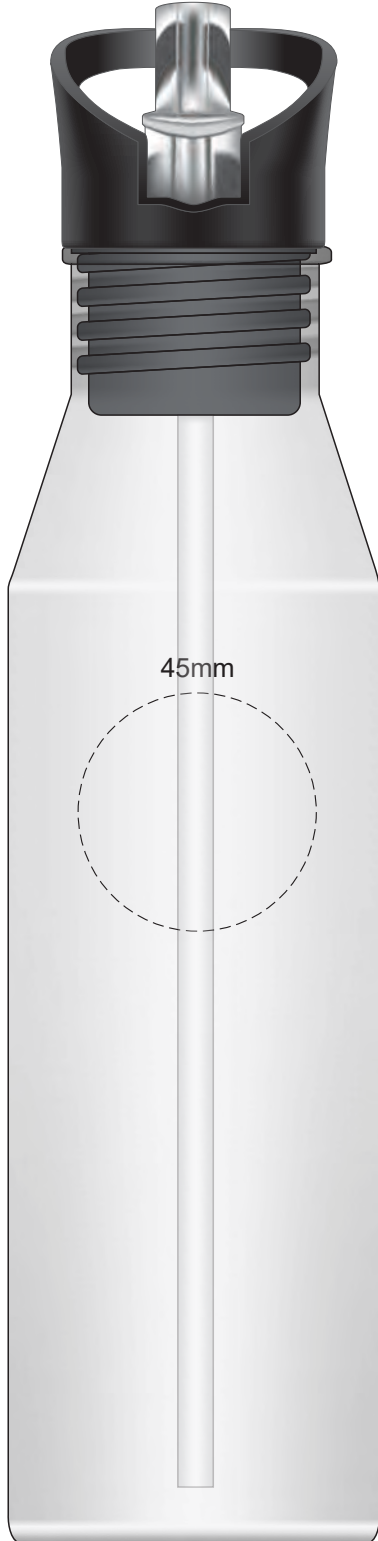
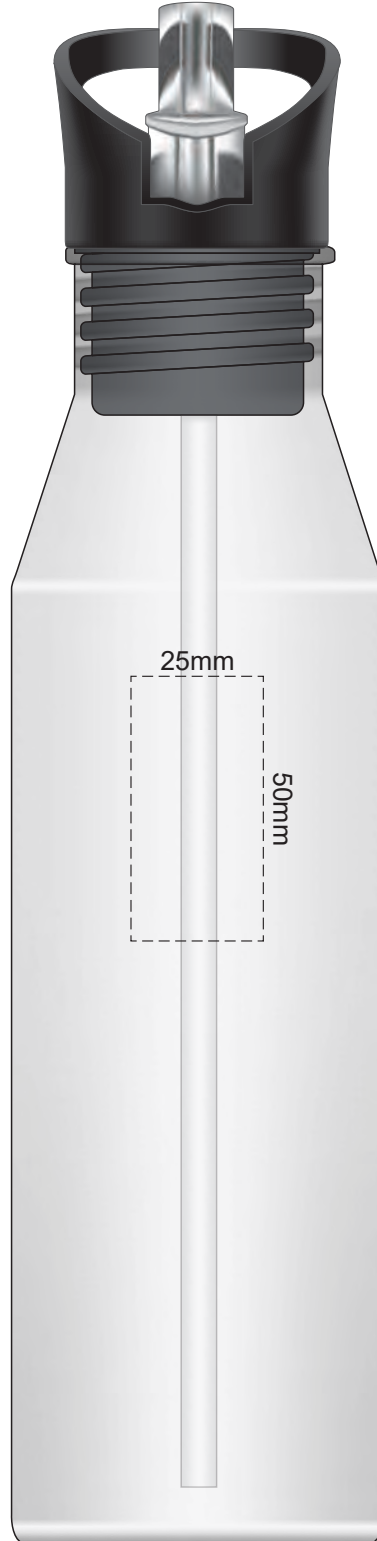
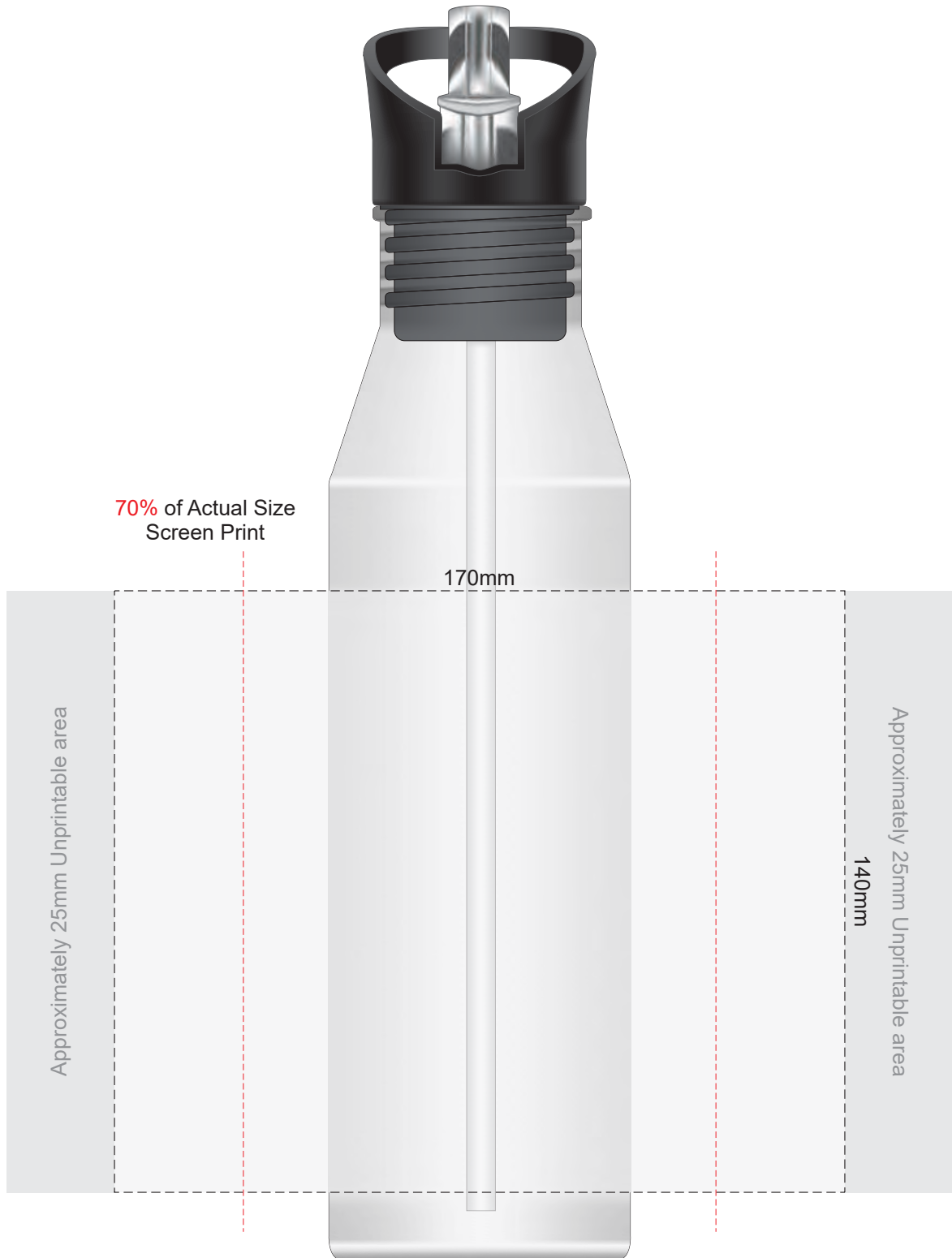


70% of Actual Size  
Pad Print

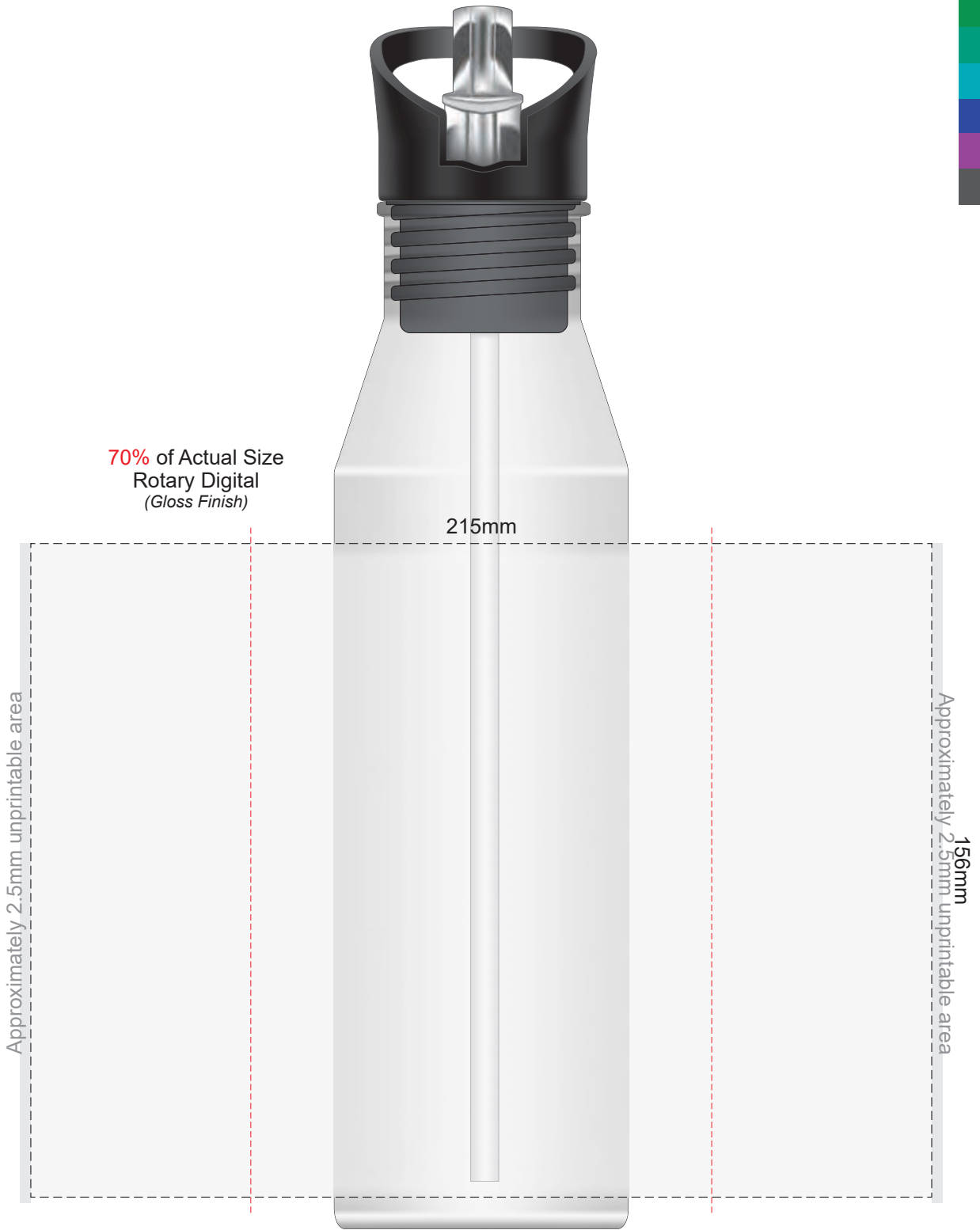


70% of Actual Size  
Pad Print



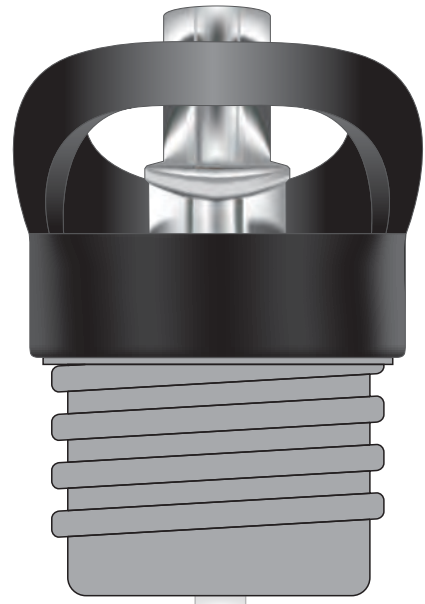
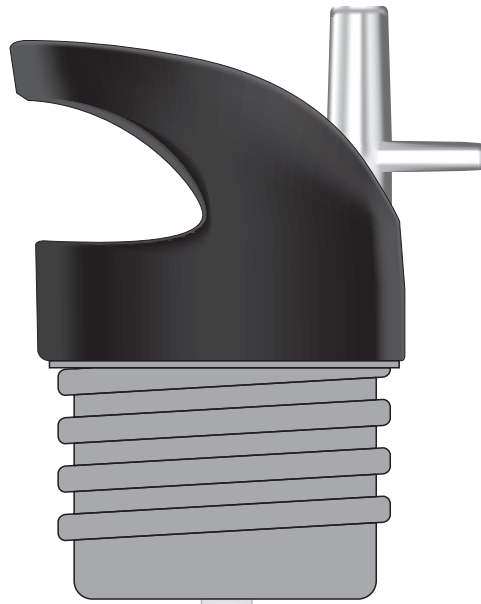
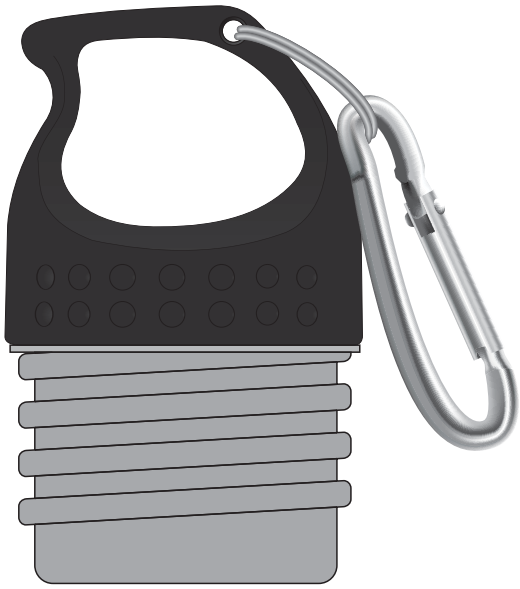


Red Line = Exact opposites of the product  
(centre artwork to the red line)

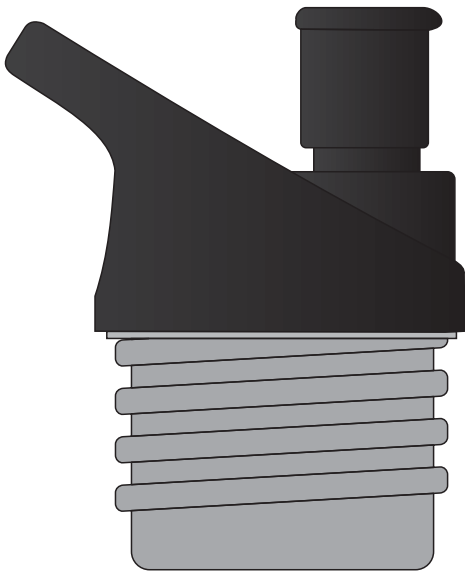


Red Line = Exact opposites of the product  
(centre artwork to the red line)

**CARABINEER LID**

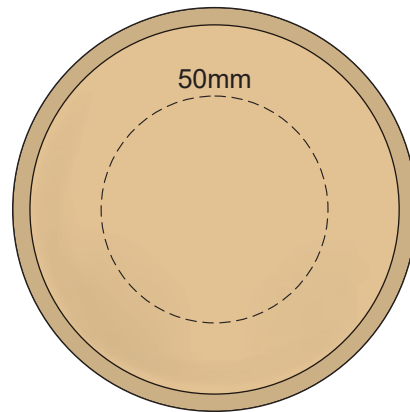
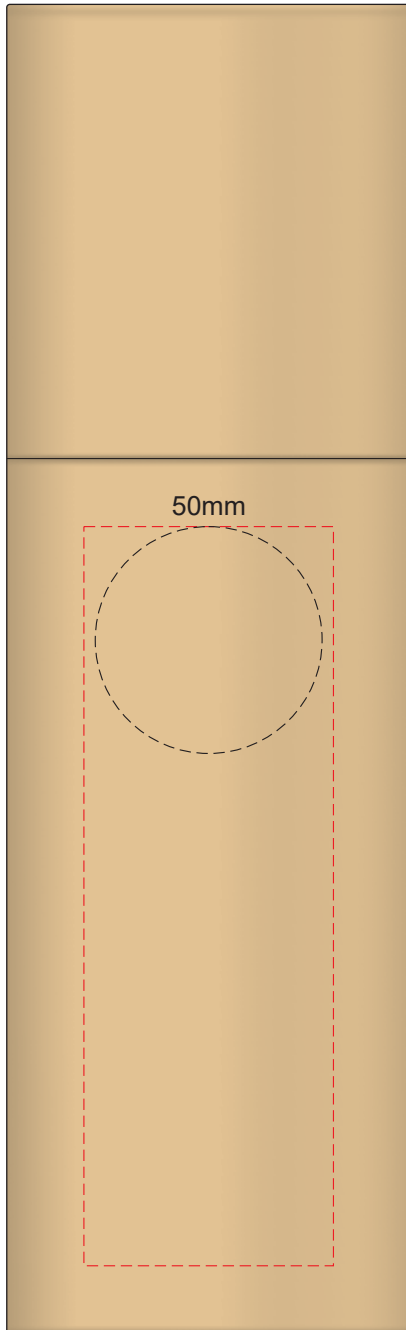


**SIPPER LID**





60% of Actual Size  
Pad Print (one colour)



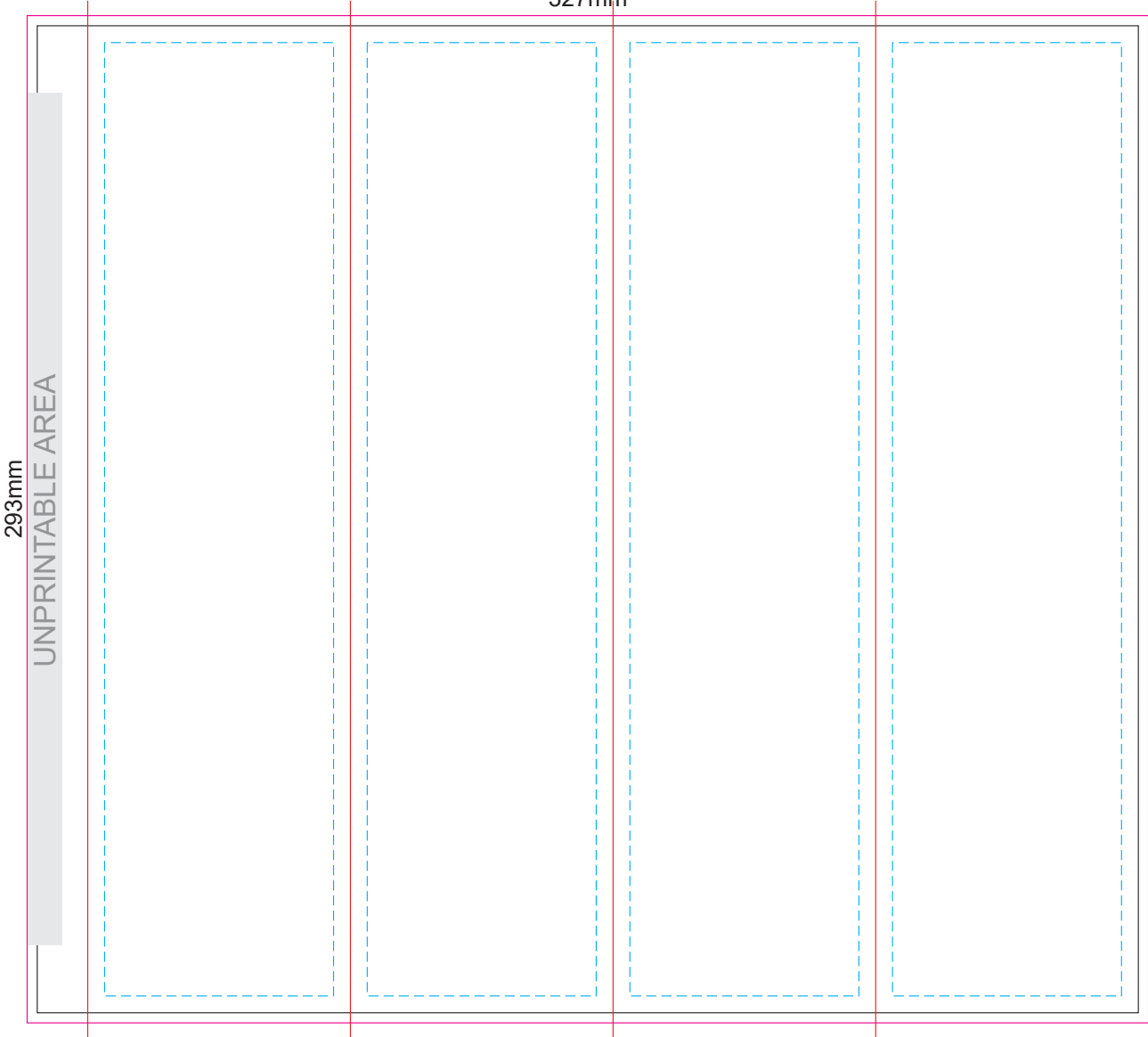
Branding area can be moved anywhere within the red line.

**GIFT BOX SLEEVE**

50% of Actual Size

Digital Label

327mm



Blue Line = The SIGNIFICANT PRINT AREA  
(Keep all critical images & text within this box)

Black Line = Maximum print area

Pink Line = Bleed off to here

Red Line = Fold Line